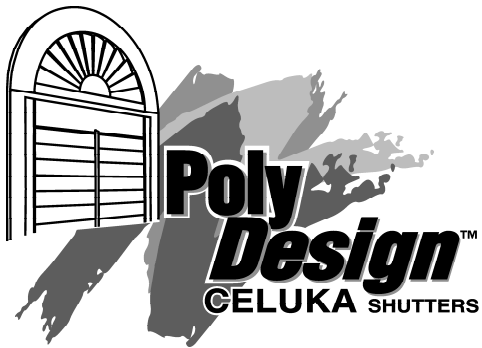


# Sunburst Order Form

Phone 205-702-4011 • 800-662-5894 • Fax 205-702-4007



Date: \_\_\_\_\_

Dealer Name: \_\_\_\_\_

Phone: \_\_\_\_\_

Address: \_\_\_\_\_

S/M: \_\_\_\_\_

Signature: \_\_\_\_\_

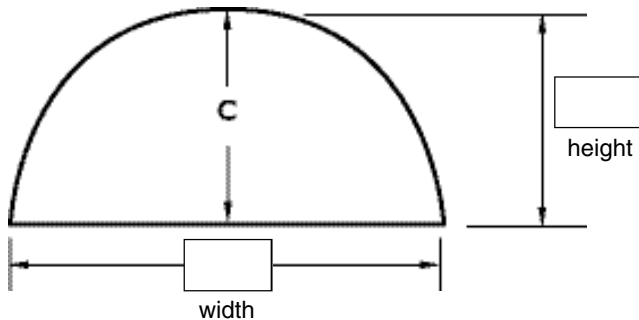
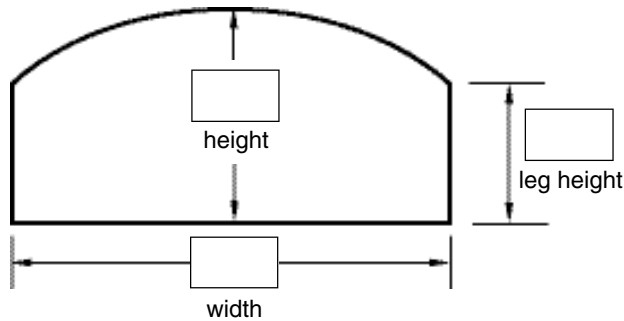
Special Instructions

Frame	Color
-------	-------

- |                             |   |  |
|-----------------------------|---|--|
| <input type="checkbox"/> 15 | <input type="checkbox"/> Off White (PD2)    | <input type="checkbox"/> Dark Oak (AW3)      |
| <input type="checkbox"/> 25 | <input type="checkbox"/> Bright White (PD5) | <input type="checkbox"/> Spanish Pecan (AW4) |
| <input type="checkbox"/> 30 | <input type="checkbox"/> Iceberg (PD6)      | <input type="checkbox"/> Cherry (AW5)        |
|                             |   | <input type="checkbox"/> Mahagony (AW6)      |

Line	Location (room)	Quantity	Mount		Frame				Total Price
			Inside	Outside	Left	Right	Top	Bottom	
1									

Inside Mount



Outside Mount

